

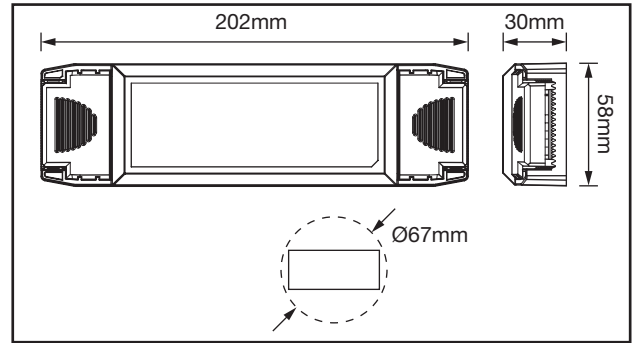
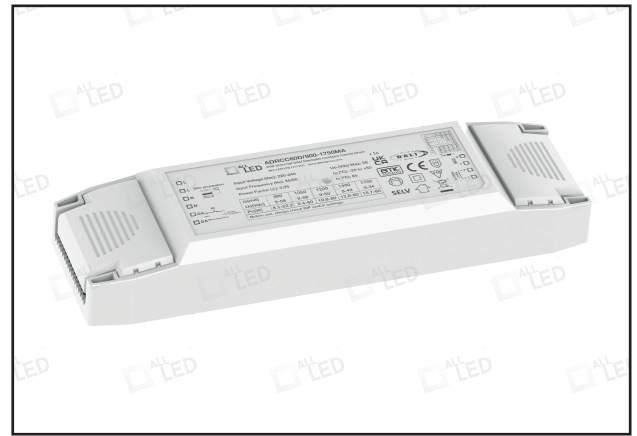
ADRCC60D/900-1750MA

60W Universal DALI / DALI2 /
(0)1-10V / Push Dimming Constant
Current Driver

UNIDRIVE-CC

PRODUCT FEATURES

- DALI, DALI2, (0)1-10V, Retractive Push Dimming All-In-One Unit
- Selectable Constant Current Output By DIP Switch
- Wide Output Voltage
- Short Circuit / Over Temperature / Over Voltage Protection



TECHNICAL SPECIFICATIONS

Product Code	ADRCC60D/900-1750MA
Operating Voltage	220-240VAC
Operating Current (A max)	0.32A
Max Output Power	60W
Current / Output Power / Voltages	900mA, 8.1-52.2W, (9-58VDC)
	1050mA, 9.4-60W, (9-58VDC)
	1200mA, 10.8-60W, (9-50VDC)
	1400mA, 12.6-60W, (9-43VDC)
	1750mA, 15.7-60W, (9-34VDC)
Output Voltage (Max)	68VDC
Power Factor	0.95
Efficiency %	87%
No Load Power (W)	<0.5W
Dimming %	2%-100%
Class	II
Body Material	Polycarbonate
Switching Cycles	100,000
Frame Colour	White
Ingress Protection	IP20
Ambient Operating Temperature (°C)	-25°C ~ +50°C
Input Frequency (Hz)	50/60Hz
Guarantee	5 Years
Dimming Protocol	PUSH DIM, (0) 1-10V, DALI
Lifetime	50,000 Hrs

